

Preliminary

LL-U26Y1C-008

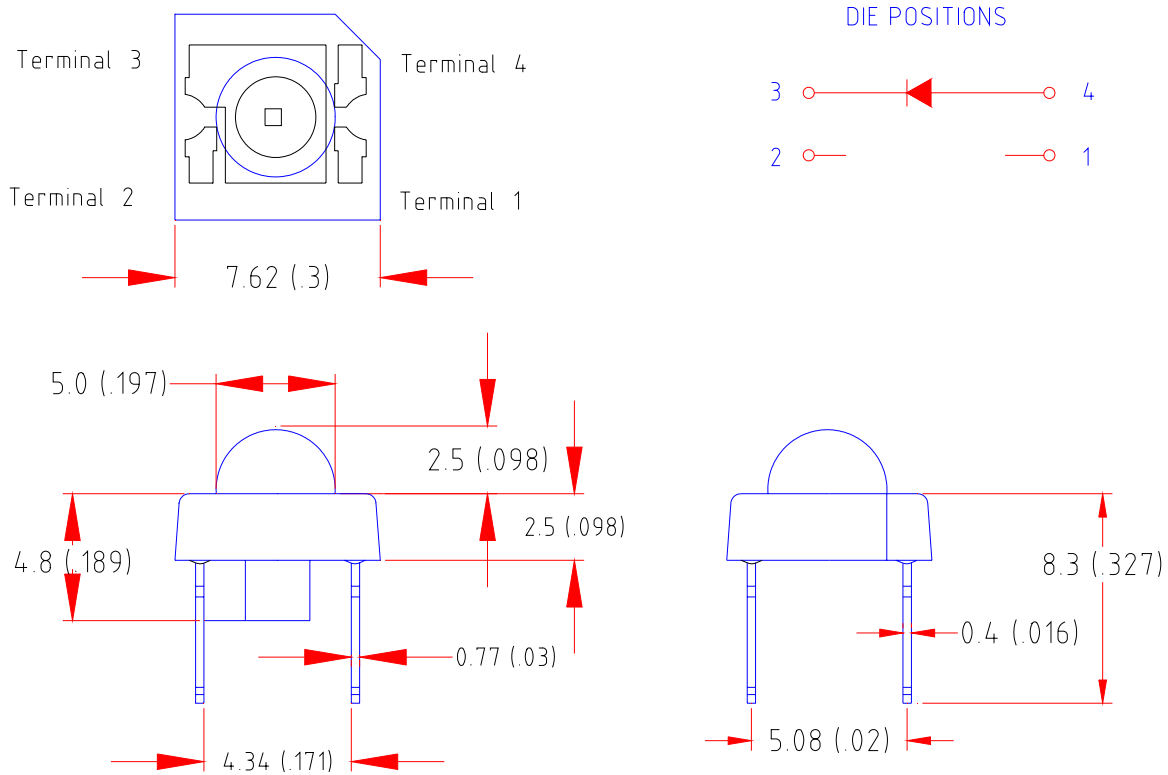
DATA SHEET

QC :

ENG :

Prepared By:

Package Dimensions:



| Part NO. | Chip Material | Lens Color | Source Color |
|---------------|---------------|-------------|---------------------|
| LL-U26Y1C-008 | AlGaInP | Water Clear | Super Bright Yellow |

Notes:

1. All dimensions are in millimeters (inches).
2. Tolerance is $\pm 0.25\text{mm}$ (.010") unless otherwise noted.
3. Protruded resin under flange is 1.0mm (.04") max.
4. Lead spacing is measured where the leads emerge from the package.
5. Specifications are subject to change without notice.
6. This data-sheet only valid for six months.

Absolute Maximum Ratings at Ta=25

| Parameter | MAX. | Unit |
|--|-------------------|------|
| Power Dissipation | 90 | mW |
| Peak Forward Current (1/10 Duty Cycle, 0.1ms Pulse Width) | 100 | mA |
| Continuous Forward Current | 35 | mA |
| Derating Linear From 50 | 0.4 | mA/ |
| Reverse Voltage | 5 | V |
| Operating Temperature Range | -40 to +80 | |
| Storage Temperature Range | -40 to +80 | |
| Lead Soldering Temperature [4mm(.157") From Body] | 260 for 5 Seconds | |

Electrical Optical Characteristics at Ta=25

| Parameter | Symbol | Min. | Typ. | Max. | Unit | Test Condition |
|--------------------------|-------------|------|------|------|---------|---------------------|
| Luminous Intensity | I_v | 460 | 1100 | 2200 | mcd | $I_f=20mA$ (Note 1) |
| Viewing Angle | $2_{1/2}$ | 65 | 75 | 85 | Deg | (Note 2) |
| Peak Emission Wavelength | λ_p | 587 | 592 | 597 | nm | $I_f=20mA$ |
| Dominant Wavelength | λ_d | 586 | 591 | 596 | nm | $I_f=20mA$ (Note 3) |
| Spectral Line Half-Width | | 15 | 20 | 25 | nm | $I_f=20mA$ |
| Forward Voltage | V_f | 2.0 | 2.1 | 2.5 | V | $I_f=20mA$ |
| Reverse Current | I_R | --- | --- | 100 | μA | $V_R=5V$ |

Notes:

- 1.Luminous intensity is measured with a light sensor and filter combination that approximates the CIE eye-response curve.
2. $_{1/2}$ is the off-axis angle at which the luminous intensity is half the axial luminous intensity
- 3.The dominant wavelength (λ_d) is derived from the CIE chromaticity diagram and represents the single wavelength which defines the color of the device.

Typical Electrical / Optical Characteristics Curves
 (25 Ambient Temperature Unless Otherwise Noted)

