

Preliminary

LL-253BC2F-003

DATA SHEET

QC :

ENG :

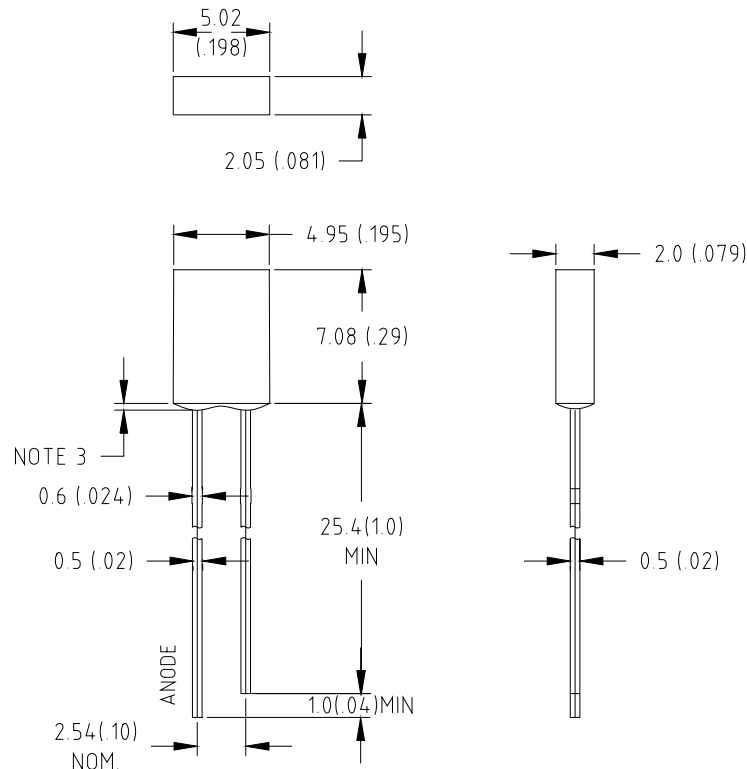
Prepared By:

Part No.	LL-253BC2F-003	Spec No.	S/N-02121951D	Page	1 of 4
----------	----------------	----------	---------------	------	--------

Features:

- ◆ High intensity
- ◆ 2*5mm rectangle package
- ◆ General purpose leads
- ◆ Reliable and rugged

Package Dimensions:



Part NO.	Chip Material	Lens Color	Source Color
LL-253BC2F-003	InGaN	Water Clear	Super Bright Blue

Notes:

1. All dimensions are in millimeters (inches).
2. Tolerance is $\pm 0.25\text{mm}(.010\text{'})$ unless otherwise noted.
3. Protruded resin under flange is 1.0mm(.04'') max
4. Lead spacing is measured where the leads emerge from the package.
5. Specifications are subject to change without notice
6. Precautions for ESD:
 STATIC SHIELD Electricity and surge damages the LED. It is recommended to use a wrist band or anti-electrostatic glove when handling the LED. All devices, equipment and machinery must be properly grounded.
7. This data-sheet only valid for six months.

Absolute Maximum Ratings at Ta=25

Parameter	MAX.	Unit
Power Dissipation	100	mW
Peak Forward Current (1/10 Duty Cycle, 0.1ms Pulse Width)	100	mA
Continuous Forward Current	30	mA
Derating Linear From 50	0.4	mA/
Reverse Voltage	5	V
Operating Temperature Range	-40 to +80	
Storage Temperature Range	-40 to +80	
Lead Soldering Temperature [4mm(.157") From Body]	260 for 5 Seconds	

Electrical Optical Characteristics at Ta=25

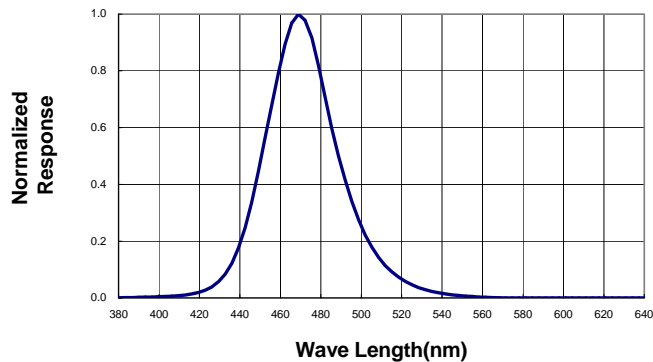
Parameter	Symbol	Min.	Typ.	Max.	Unit	Test Condition
Luminous Intensity	I_v	63	140	310	mcd	$I_f=20\text{mA}$ (Note 1)
Viewing Angle	$2_{1/2}$	110	120	130	Deg	(Note 2)
Peak Emission Wavelength	ρ	463	468	473	Nm	$I_f=20\text{mA}$
Dominant Wavelength	d	460	470	480	Nm	$I_f=20\text{mA}$ (Note 3)
Spectral Line Half-Width		35	40	45	Nm	$I_f=20\text{mA}$
Forward Voltage	V_f	2.8	3.5	4.0	V	$I_f=20\text{mA}$
Reverse Current	I_R	---	---	100	μA	$V_R=5\text{V}$

Notes:

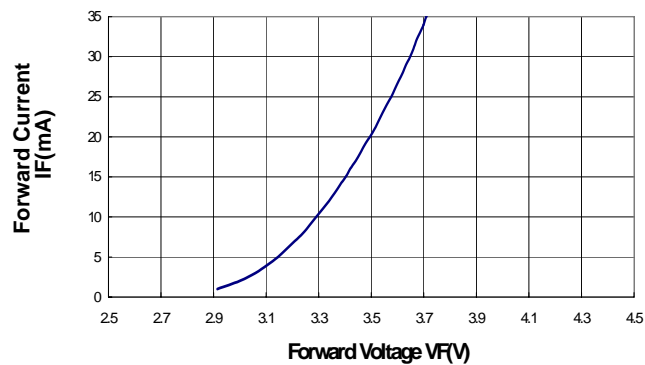
- 1.Luminous intensity is measured with a light sensor and filter combination that approximates the CIE eye-response curve.
2. $_{1/2}$ is the off-axis angle at which the luminous intensity is half the axial luminous intensity.
- 3.The dominant wavelength (d) is derived from the CIE chromaticity diagram and represents the single wavelength which defines the color of the device.

Typical Electrical / Optical Characteristics Curves
 (25 Ambient Temperature Unless Otherwise Noted)

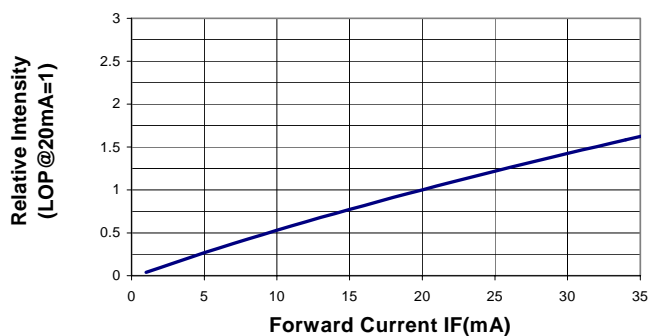
Spectral Radiance (Peak @ 468nm)



Forward Current vs Forward Voltage



Relative Luminous Intensity vs Forward Current



Beam Pattern

